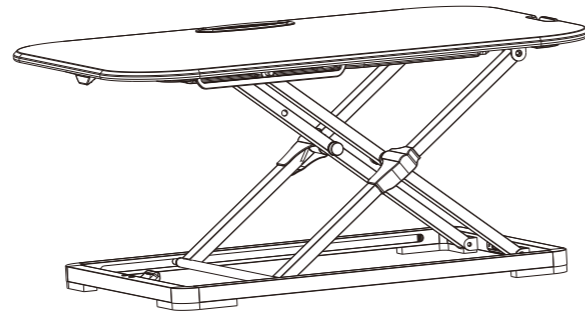
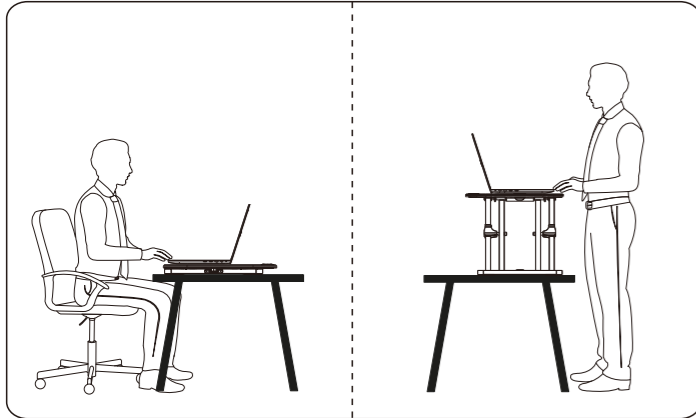


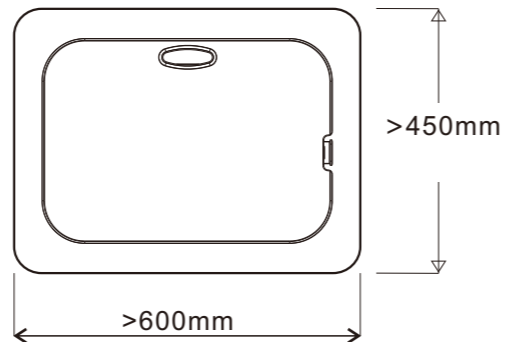
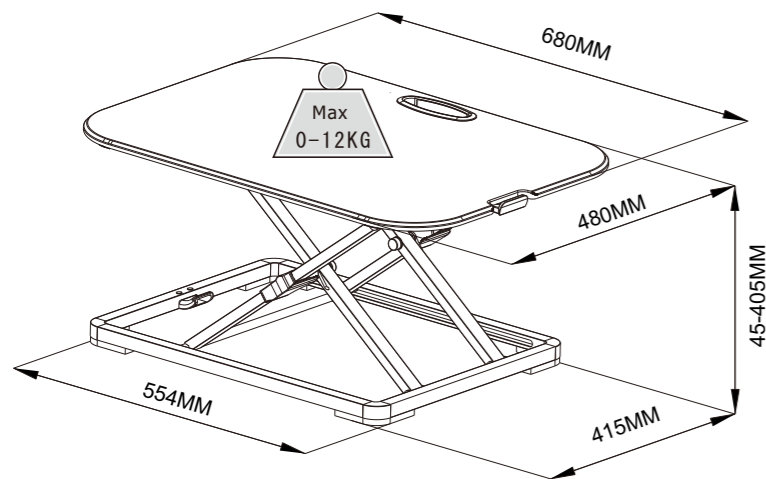
Item No.: MT202A

Installation guide



Technical Data

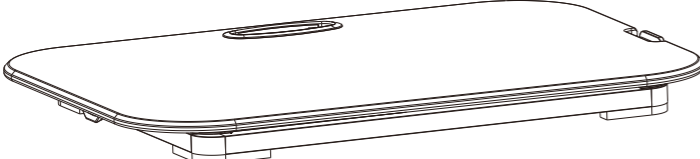
Table size:



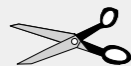
WARNING Please do not exceed the maximum bearing weight.

Loading range	0~12Kg
Height adjustment range	45-405mm

Spare part

NO.	Accessory
A	 x1

TOOLS
(not included)



STEP 1

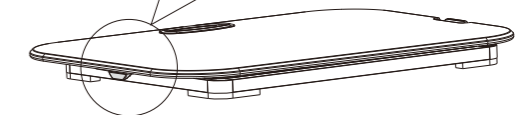
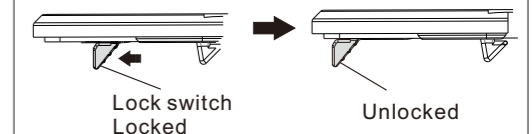


1. Please take the packaging carton apart, take out the product and put it on the table.



Please place the product properly according to size of it, or it may hurt you or cause damage.

2. Please unlock the switch first after taking out the product as the initial situation of the switch is locked.

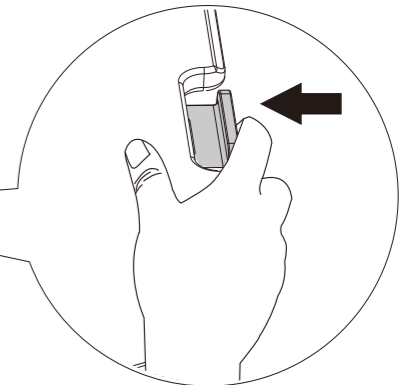
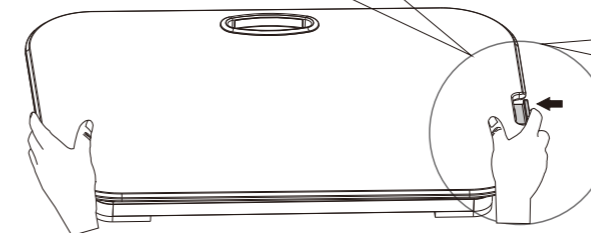


STEP 2

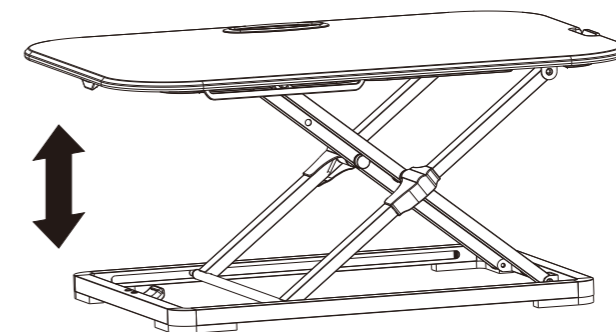


Please do not put hands near the supporting bars to avoid any hurt while the desk is lifting up and down.

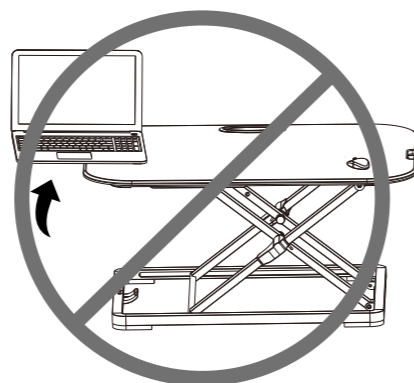
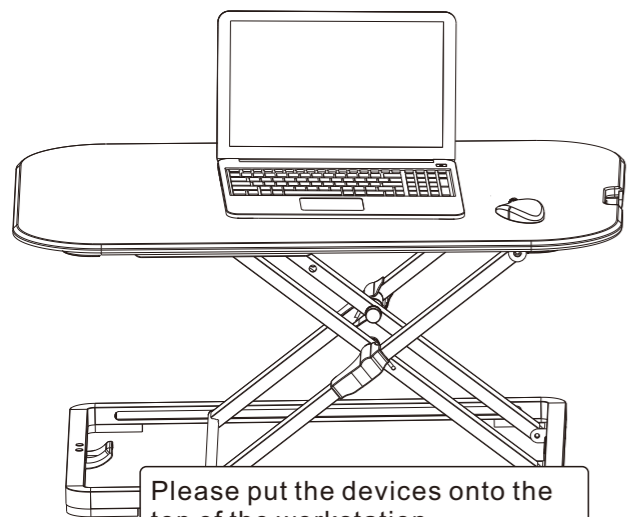
Please push the switch to adjust it to a desired height according to your situation.



When lifting the workstation, push the switch by your thumb and up the table with holding both sides of table edges, then it will get next height, locked automatically when you hearing the voice.
When lowering the workstation, push the switch by your thumb and the loading will let it lower from current height, locked it automatically when hearing the voice.

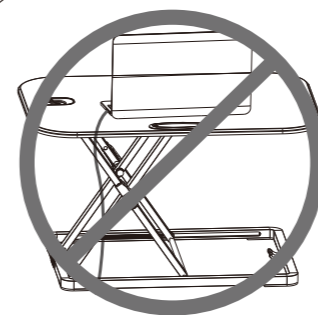


STEP 3



CAUTION

Please make sure all installed equipments are on the table, and not exceed the edge, or it may hurt you or cause damage.

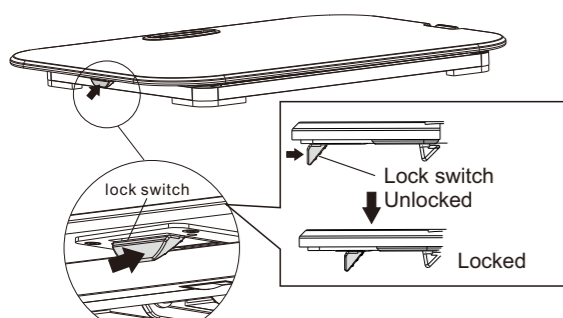


Attention

Please leave enough length of cable for height adjustment function, or it may hurt you or cause damage.

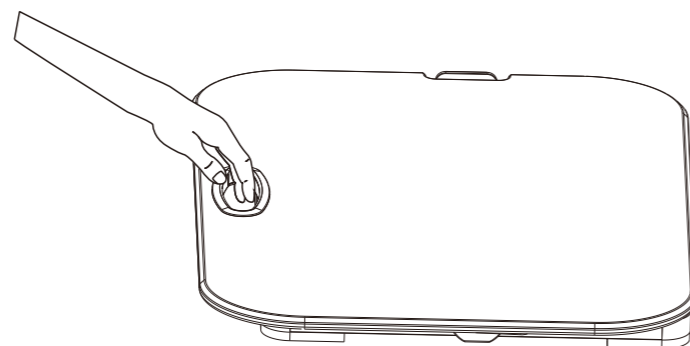
How to take the workstation safely

1 Close lock switch



Please push the lock switch inwards and make sure it is closed to avoid losing its effect before taking it, or it will make workstation flick suddenly. It will decrease the potential risks after carrying workstation.

2 Take the workstation



WARNING

Hands Pinching

Do not place your hand near the strut. Strut's angle will change during the desktop lifts and it may hurt you.



Warning

Please do not put hands near the supporting bars, as they change during adjusting and may hurt you.